



POMPA DOSATRICE A MEMBRANA TIPO NUOVA MD
DIAPHRAGM METERING PUMP TYPE NEW MD
REGOLAZIONE MANUALE

| | | | | | |
|----------------|------|------|----------|--------|-----|
| TAVOLA | 4810 | REV. | 6 | LINGUA | I/E |
| SOSTITUISCE IL | - | DATA | 11.06.02 | | |

MANUAL ADJUSTMENT

OVERALL DRAWING

| HEADS No. | 2 | 3 | 4 | 5 | 6 |
|-----------|-----|-----|-----|-----|------|
| G | 370 | 535 | 700 | 865 | 1030 |
| L | 450 | 615 | 780 | 945 | 1110 |

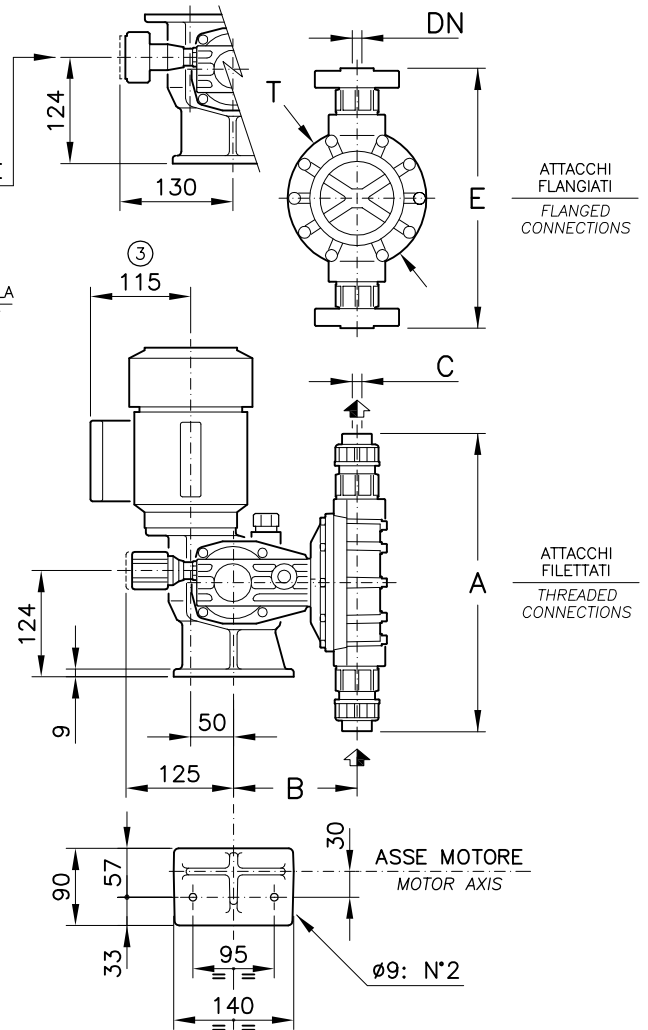
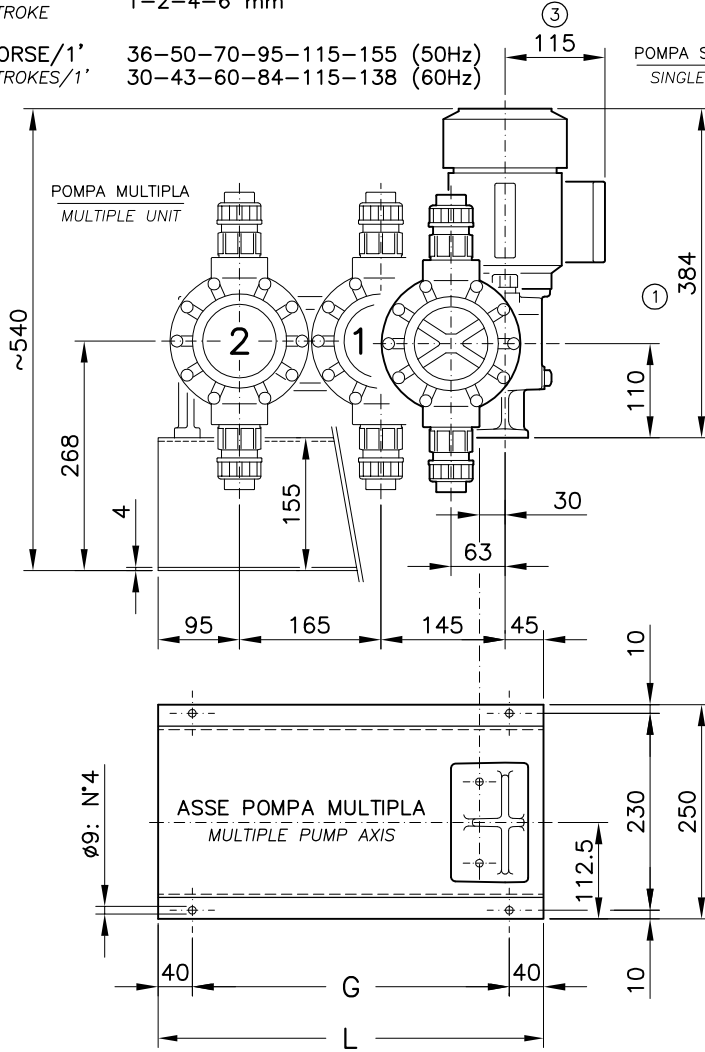
REGOLAZIONE TRAMITE OROLOGIO GRAVITAZIONALE
ADJUSTMENT BY MEANS OF GRAVITATIONAL WATCH
G-GS

LETTURA REGOLAZIONE
ADJUSTMENT READING

DIMENSIONI IN MILLIMETRI
DIMENSIONS IN MILLIMETRES

CORSA
STROKE 1-2-4-6 mm

CORSE/1' 36-50-70-95-115-155 (50Hz) 115 POMPA SINGOLA
STROKES/1' 30-43-60-84-115-138 (60Hz) SINGLE UNIT



PESO INDICATIVO APPROXIMATE WEIGHT 15±30Kg ②

FLANGE UNI EN 1092-1 - AARH200
FLANGES ANSI B16.5 - AARH200

MOTORI CVE UNEL-MEC 0.37kW 4Poli
MOTORS 230/400/3/50Hz IP55 Cl.F IEC38

CON MOTORE EEExd ① =440 ② +10Kg ③ =145
WITH EEExd MOTOR

DISTRIBUZIONE: DA DT CO PR UV UA UC P/CX
 CONTROLLO IN ROSSO
 DISEGNATO
 LUT/PROG. 22.04.97

CONTRO. DATA 19/01/12
 MODIFICHE
 AGGIUNTA SESTA TESTA
 REV. 6

| MD | | A (AISI-316L) | | | | | | | PP (POLYPROP) | | | | | | | P (PVC) / S (PVDF) | | | | | | | DN | |
|------|--------|---------------|-----|-------|--------|-----|-----|-----|---------------|-----|-----|--------|-----|-----|-----|--------------------|-----|-------|--------|-----|-----|-----|-----|------|
| 50Hz | 60Hz | A | ADV | B | C G.F. | E | EDV | TØ | A | ADV | B | C G.F. | E | EDV | TØ | A | ADV | B | C G.F. | E | EDV | TØ | UNI | ANSI |
| 1-13 | 0.8-12 | - | 179 | 135 | 1/4" | - | 155 | 90 | - | 222 | 141 | 1/4" | - | 170 | 98 | - | 256 | 144 | 1/4" | - | 198 | 118 | 15 | 1/2" |
| 11 | 9 | - | 204 | 132.5 | 1/4" | - | 180 | 114 | 237 | 275 | 133 | 1/4" | 201 | 215 | 117 | - | 253 | 145 | 1/4" | - | 215 | 138 | 15 | 1/2" |
| 16 | 14 | - | 204 | 132.5 | 1/4" | - | 180 | 114 | 237 | 275 | 133 | 1/4" | 201 | 215 | 117 | - | 253 | 145 | 1/4" | - | 215 | 138 | 15 | 1/2" |
| 23 | 28 | 166 | 204 | 132.5 | 3/8" | 180 | 180 | 114 | 237 | 275 | 133 | 3/8" | 201 | 215 | 117 | - | 253 | 145 | 3/8" | - | 215 | 138 | 15 | 1/2" |
| 31 | 36 | 166 | 204 | 132.5 | 3/8" | 180 | 180 | 114 | 237 | 275 | 133 | 3/8" | 201 | 215 | 117 | - | 253 | 145 | 3/8" | - | 215 | 138 | 15 | 1/2" |
| 37 | 45 | 166 | 204 | 132.5 | 3/8" | 180 | 180 | 114 | 237 | 275 | 133 | 3/8" | 201 | 215 | 117 | - | 253 | 145 | 3/8" | - | 215 | 138 | 15 | 1/2" |
| 50 | 45 | 166 | 204 | 132.5 | 3/8" | 180 | 180 | 114 | 237 | 275 | 133 | 3/8" | 201 | 215 | 117 | - | 253 | 145 | 3/8" | - | 215 | 138 | 15 | 1/2" |
| 35 | 42 | 181 | 219 | 132 | 3/8" | 195 | 195 | 129 | 251 | 289 | 133 | 3/8" | 215 | 229 | 133 | 271 | 271 | 145 | 3/8" | 225 | 225 | 148 | 15 | 1/2" |
| 49 | 58 | 181 | 219 | 132 | 3/8" | 195 | 195 | 129 | 251 | 289 | 133 | 3/8" | 215 | 229 | 133 | 271 | 271 | 145 | 3/8" | 225 | 225 | 148 | 15 | 1/2" |
| 75 | 90 | 181 | 219 | 132 | 3/8" | 195 | 195 | 129 | 251 | 289 | 133 | 3/8" | 215 | 229 | 133 | 271 | 271 | 145 | 3/8" | 225 | 225 | 148 | 15 | 1/2" |
| 101 | 90 | 181 | 219 | 132 | 3/8" | 195 | 195 | 129 | 251 | 289 | 133 | 3/8" | 215 | 229 | 133 | 271 | 271 | 145 | 3/8" | 225 | 225 | 148 | 15 | 1/2" |
| 120 | 121 | 200 | 252 | 133.5 | 1/2" | 200 | 220 | 129 | 251 | 289 | 133 | 3/8" | 215 | 229 | 133 | 271 | 271 | 145 | 3/8" | 225 | 225 | 148 | 15 | 1/2" |
| 155 | 145 | 200 | 252 | 133.5 | 1/2" | 200 | 220 | 129 | 251 | 289 | 133 | 3/8" | 215 | 229 | 133 | 271 | 271 | 145 | 3/8" | 225 | 225 | 148 | 15 | 1/2" |
| 102 | 119 | 235 | - | 142 | 3/4" | 235 | - | 159 | 347 | - | 145 | 3/4" | 303 | - | 162 | 344 | - | 156.5 | 3/4" | 299 | - | 195 | 20 | 3/4" |
| 131 | 158 | 235 | - | 142 | 3/4" | 235 | - | 159 | 347 | - | 145 | 3/4" | 303 | - | 162 | 344 | - | 156.5 | 3/4" | 299 | - | 195 | 20 | 3/4" |
| 201 | 236 | 235 | - | 142 | 3/4" | 235 | - | 159 | 347 | - | 145 | 3/4" | 303 | - | 162 | 344 | - | 156.5 | 3/4" | 299 | - | 195 | 20 | 3/4" |
| 261 | 236 | 235 | - | 142 | 3/4" | 235 | - | 159 | 347 | - | 145 | 3/4" | 303 | - | 162 | 344 | - | 156.5 | 3/4" | 299 | - | 195 | 20 | 3/4" |
| 321 | 312 | 276 | - | 140 | 1" | 261 | - | 159 | 355 | - | 145 | 1" | 303 | - | 162 | 342 | - | 156.5 | 1" | 291 | - | 195 | 25 | 1" |
| 421 | 384 | 276 | - | 140 | 1" | 261 | - | 159 | 355 | - | 145 | 1" | 303 | - | 162 | 342 | - | 156.5 | 1" | 291 | - | 195 | 25 | 1" |
| 150 | 180 | 307 | - | 149 | 1" | 293 | - | 189 | 386 | - | 148 | 1" | 336 | - | 194 | 369 | - | 158 | 1" | 318 | - | 220 | 25 | 1" |
| 190 | 228 | 307 | - | 149 | 1" | 293 | - | 189 | 386 | - | 148 | 1" | 336 | - | 194 | 369 | - | 158 | 1" | 318 | - | 220 | 25 | 1" |
| 301 | 360 | 307 | - | 149 | 1" | 293 | - | 189 | 386 | - | 148 | 1" | 336 | - | 194 | 369 | - | 158 | 1" | 318 | - | 220 | 25 | 1" |
| 431 | 519 | 307 | - | 149 | 1" | 293 | - | 189 | 386 | - | 148 | 1" | 336 | - | 194 | 369 | - | 158 | 1" | 318 | - | 220 | 25 | 1" |
| 521 | 519 | 307 | - | 149 | 1" | 293 | - | 189 | 386 | - | 148 | 1" | 336 | - | 194 | 369 | - | 158 | 1" | 318 | - | 220 | 25 | 1" |